



PARK MASTER - VEHICLE SPECIFIC FITTING INSTRUCTIONS

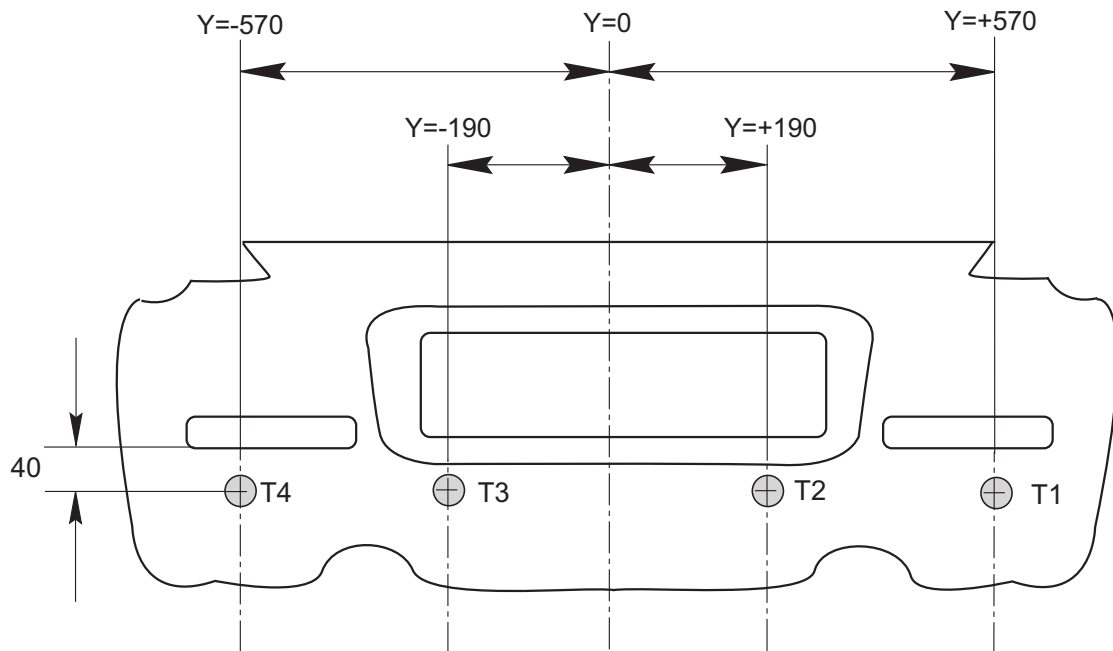
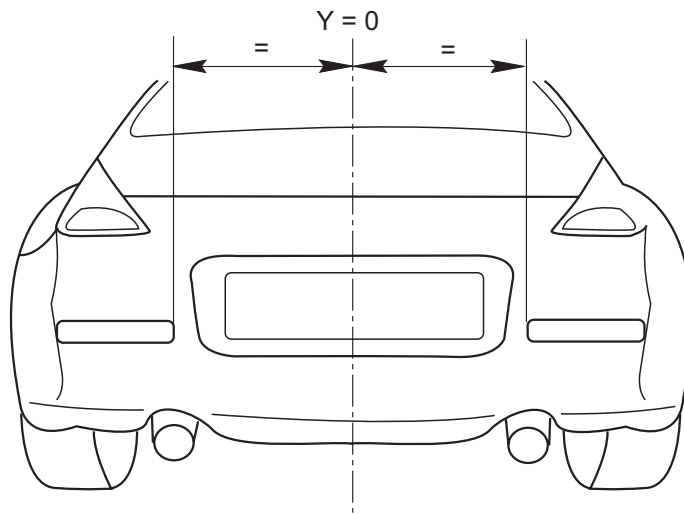
REV. 01

www.cobra-at.com

MAKE **NISSAN**

MOD. **350 Z**

YEAR **06/03** →



Note: This information is not binding, therefore it must be considered only an example for installation purposes that must be executed as per the instructions given on the product installation manual.

srnz350\_01.FH10