



CAR SECURITY

SPECIFIC VEHICLE ALARM FITTING INSTRUCTIONS

REV. 00

www.cobra.it

MAKE

PEUGEOT

MOD.

406*

YEAR.

02 →

PETROL
DIESEL

* Models with original equipment keyless entry system.

ALARM/SIREN POSITION

Position the compact alarms and the sirens on the dome of the shock absorber, passenger's side.

CENTRAL UNIT POSITION

Position the modular systems and the modules under the dashboard, driver's side.

POWER SUPPLY

+ **30**: connect to the 3 mm² RED wire located at the entrance of the fuse box.
- **31**: connect to one of the original ground terminals located on the right of the BSI operating central..

IGNITION WIRE

+ **15/54**: connect to the wire at the position nr. 16 coming out of the 26 way blue connector of the BSI operating central.

DIRECTION INDICATORS

Connect to the wires at the positions nr. 13 and nr. 14 of the 16 way black connector coming out of the BSI operating central.

ELECTRIC WINDOWS

Positive control signal

Front window, driver's side:

Refer to the **diagram nr. 114**.

Front window, passenger's side:

Cut the 1 mm² GREY wire located at the position nr. 10.

Rear window, driver's side:

Cut the 1 mm² VIOLET wire located at the position nr. 7.

Rear window, passenger's side:

Cut the 1 mm² GREY wire located at the position nr. 6.

These connections are made directly in the 16 way black connector coming out of the push-button panel in the armrest of the driver's side door.

ACTIVAT./DEACTIVATION CONTROLS

Connections antitheft/vehicle

Refer to the **diagram nr. 115**.

IMMOBILISATION POINT

Fuel pump

Cut the WHITE wire located behind the left lateral bulkhead, driver's side.

STARTER

+ **50**: Cut the BLUE wire located in the wiring harness coming out of the 3 way connector, on the left of the steering column.

BONNET SWITCH

Install an additional switch on the front headlamp support plate, driver's side.

DOORS SWITCH

Connect to the wire, at the position nr. 14 coming out of the 26 way blue connector of the BSI operating central.

Note: The lamp polarity is positive.



CAR SECURITY

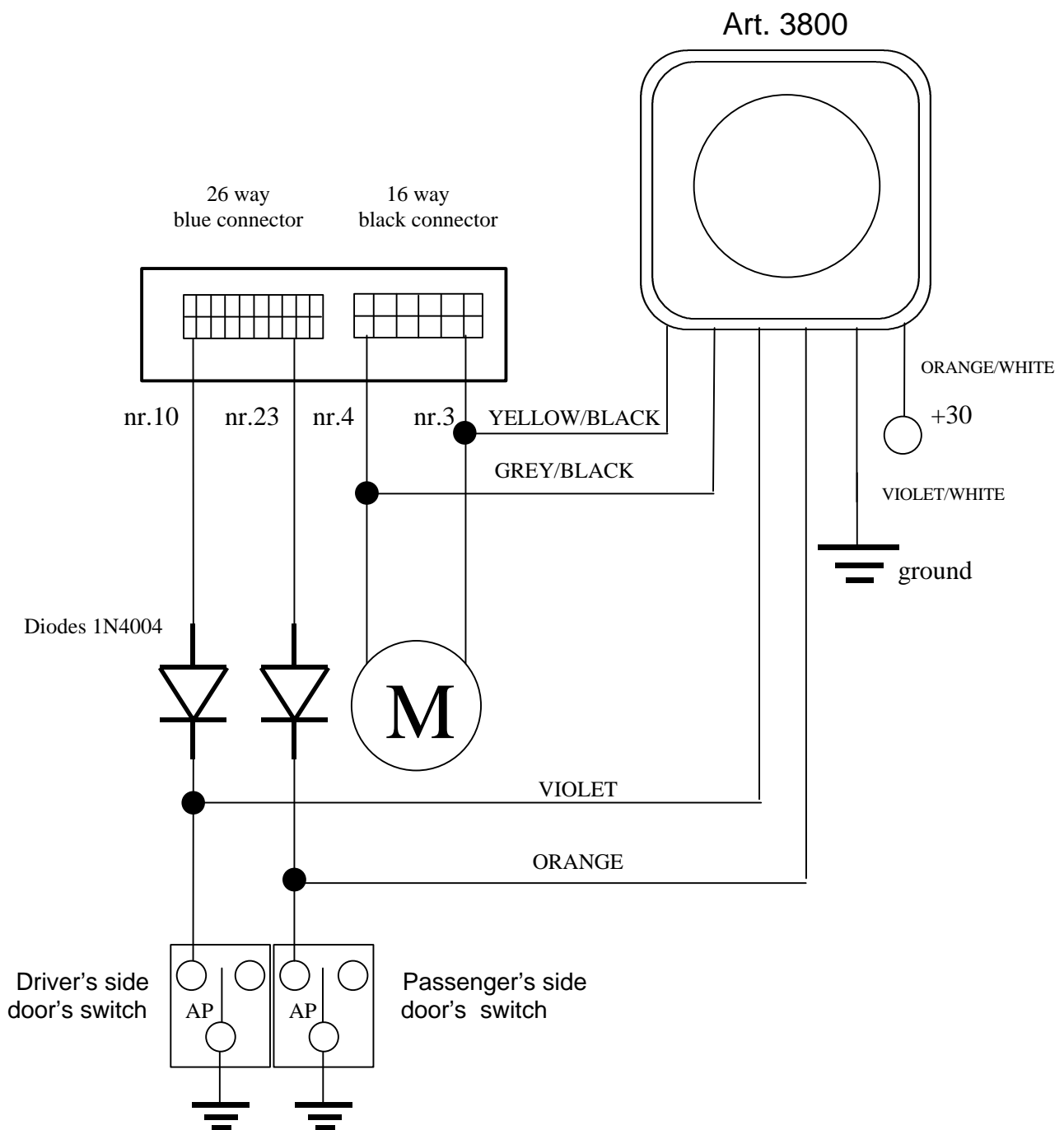
SPECIFIC VEHICLE ALARM FITTING INSTRUCTIONS

REV. 00

www.cobra.it

FITTING DIAGRAM N°115

Diagram for the interfacing of art. 3800 on
PEUGEOT 406 year 2002



Note: This information is not binding, therefore it must be considered only an example for installation purposes that must be executed as per the instructions given on the product installation manual.

pe40602gbbt.doc



CAR SECURITY

SPECIFIC VEHICLE ALARM FITTING INSTRUCTIONS

REV. 00

www.cobra.it

FITTING DIAGRAM N° 114

Diagram for windows connection on
PEUGEOT 406 year 2002

Diagram for windows locking using the BROWN/WHITE wire of the autodriven Bridge serie antithefts.

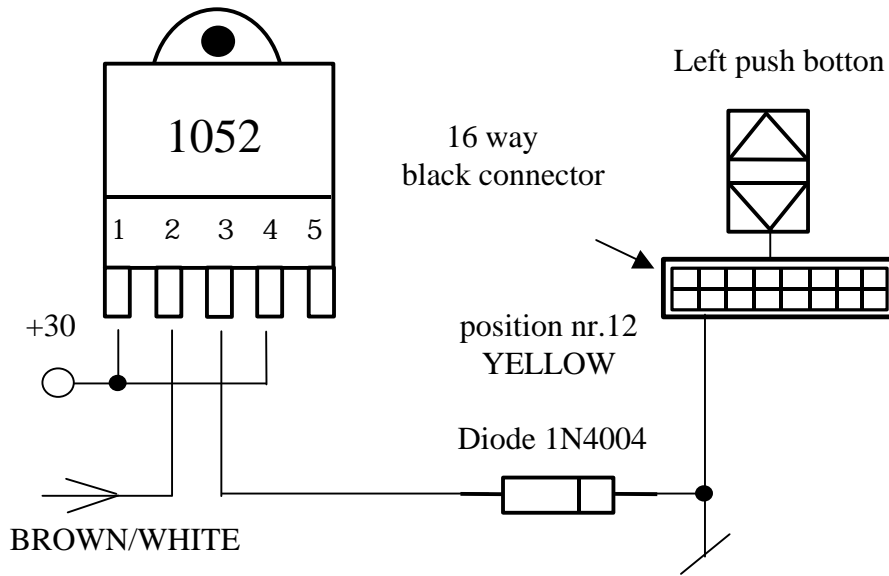


Diagram for windows locking using the BROWN wire of the no autodriven Bridge serie, 3100 and 3800 antithefts.

