



CAR SECURITY

SPECIFIC VEHICLE ALARM FITTING INSTRUCTIONS

REV. 00

www.cobra.it

MAKE

PEUGEOT

MOD.

306*

YEAR.

01 →

PETROL
DIESEL

* Models with original equipment keyless entry system.

ALARM/SIREN POSITION

Position the compact alarms and the sirens in the engine compartment, driver's side.

CENTRAL UNIT POSITION

Position the modular systems and the modules under the dashboard, driver's side.

POWER SUPPLY

+ 30: connect to the 2 mm² RED wire located at the position nr. 1 in the 15 way black connector of the central unit of the central locking placed under the central tunnel.
- 31: connect directly to the car body. As alternative, connect directly to the negative pole of the battery.

IGNITION WIRE

+ 15/54: connect to the wire located at the position nr. 5 of the 15 way black connector of the central unit of the central locking placed under the central tunnel.

DIRECTION INDICATORS

Connect to the WHITE wire at the position nr. 10 and to the BEIGE wire at the position nr. 2 located in the 15 way black connector of the central unit of the central locking placed under the central tunnel.

ELECTRIC WINDOWS

Positive control signal

Front window, driver's side:

cut the BEIGE wire at the position B3 located in the wiring harness coming out of the 7 way grey connector, in the push-button panel on the door armrest, driver's side.

Front window, passenger's side:

cut the RED wire at the position B2 located in the wiring harness coming out of the 7 way grey connector, in the push-button panel on the door armrest, driver's side.

Rear window, driver's side:

Cut the GREEN wire at the position 1 located in the wiring harness coming out of the yellow connector of the push-button panel, behind the rod of the hand brake.

Rear window, passenger's side:

cut the PINK wire at the position 1 located in the wiring harness coming out of the blue connector of the push-button panel, behind the rod of the hand brake.

CENTRAL DOORS LOCKING

Negative control signal

Refer to the **diagram nr. 91**.

IMMOBILISATION POINT

Gasoil pump

Cut the wire marked nr. 121 located at the position E6, in the 46 way black connector, located under the fuses holder box, in the engine compartment.

STARTER

+50: Cut the activation control wire of the relay of the starting motor located in the wiring harness coming out of the connector of the ignition key.

BONNET SWITCH

Install an additional switch on the headlamp support plate, driver's side.

DOORS SWITCH

Connect to the wire located at the position nr. 15, of the 15 way black connector, of the central unit of the central locking placed under the central tunnel.

BOOT SWITCH

Connect to the wire marked 8616, at the position nr. 16, of the 26 way yellow connector, of the central unit of the central locking placed under the central tunnel.



CAR SECURITY

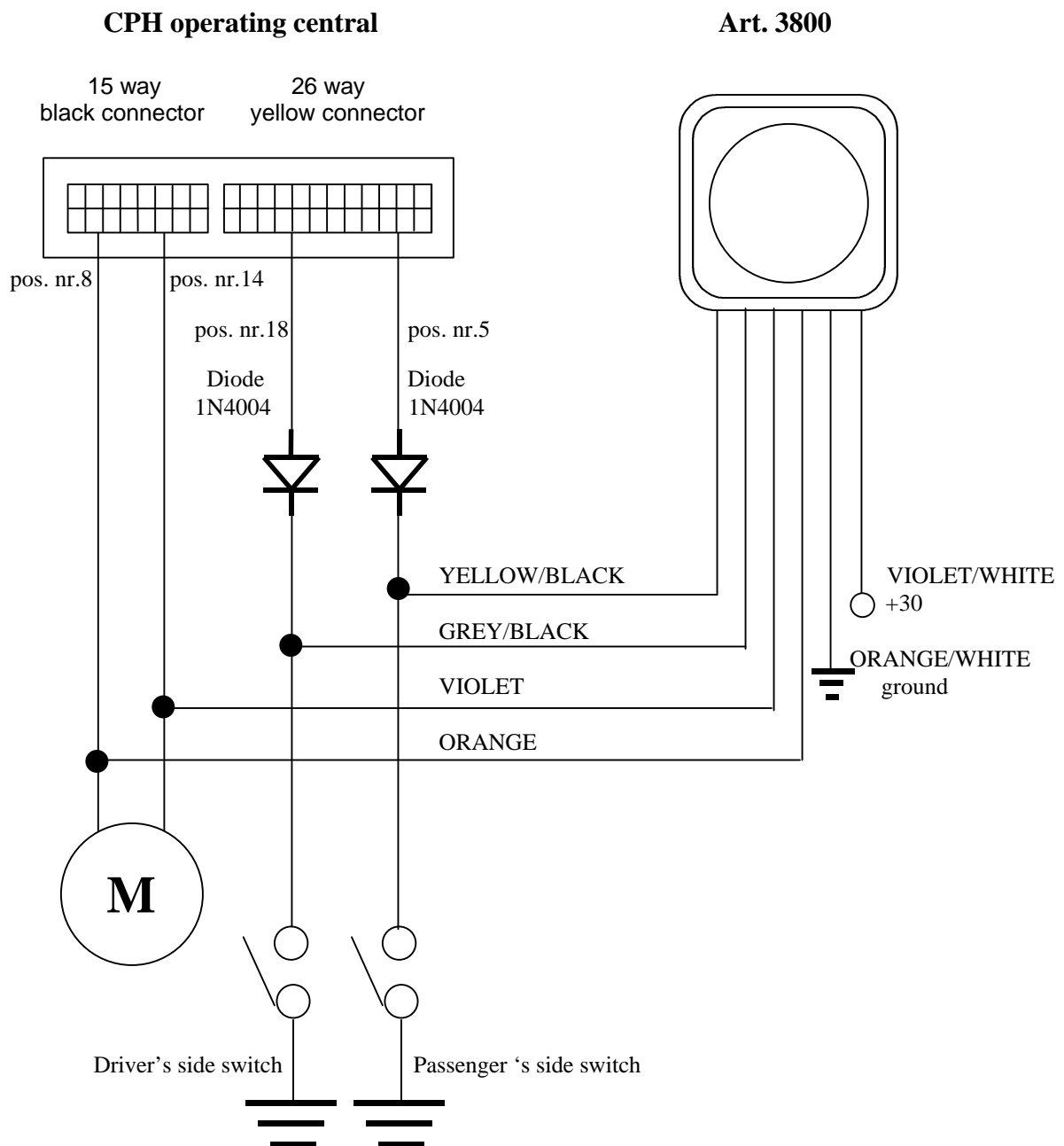
SPECIFIC VEHICLE ALARM FITTING INSTRUCTIONS

REV. 00

www.cobra.it

FITTING DIAGRAM N° 91

Diagram for the interfacing of Art. 3800 on
PEUGEOT 306



Note: This information is not binding, therefore it must be considered only an example for installation purposes that must be executed as per the instructions given on the product installation manual.

pe30601gbdtd.doc