



CAR SECURITY

SPECIFIC VEHICLE ALARM FITTING INSTRUCTIONS

REV. 01

www.cobra.it

MAKE **PEUGEOT** MOD. **206*** YEAR. **02** PETROL DIESEL

* Models with original equipment keyless entry system.

ALARM/SIREN POSITION	Position the compact alarms and the sirens on the wheelhouse, passenger's side.
CENTRAL UNIT POSITION	Position the modular systems and the modules under the dashboard.
POWER SUPPLY	+ 30 : connect to the 3 mm ² wire, at the position nr. 2, of the 2 way black connector coming out of the front part of the BSI operating central. - 31 : connect to the wire, at the position nr. 9 of the 16 way black connector coming out of the BSI operating central.
IGNITION WIRE	+ 15/54 : connect to the wire at the position nr. 14 of the 16 way grey connector..
DIRECTION INDICATORS	Connect to the wires at the positions nr. 13 and nr. 14 of the 16 way black connector.
ELECTRIC WINDOWS	Positive control signal Front window, driver's side: Refer to the diagram nr. 96 . Front window, passenger's side: Refer to the diagram nr. 96 . Rear window, driver's side: Cut the GREY wire located at the position B 4. Rear window, passenger's side: Cut the GREY wire located at the position A1. These wires are located in the 16 way grey connector directly coming out of the push-button panel.
ACTIVAT./DEACTIVATION CONTROLS	Connections antitheft/vehicle Refer to the diagram nr. 79 .
IMMOBILISATION POINT	Fuel pump Cut the VIOLET wire, at the position nr. 9 in the 16 way black connector located behind the left lateral bulkhead, driver's side.
STARTER	+ 50 : Cut the BLUE wire located in the wiring harness coming out of the connector of the ignition key.
BONNET SWITCH	Install an additional switch on the front headlamp support plate, driver's side.
DOORS SWITCH	Connect to the wire, at the position nr. 32 of the green connector, inside the connection with white covering, in the fuse box. Note: The lamp polarity is positive.
BOOT SWITCH	When the boot is provided with the lamp, connect directly to the negative control coming out of the same; as alternative, install an additional switch.



CAR SECURITY

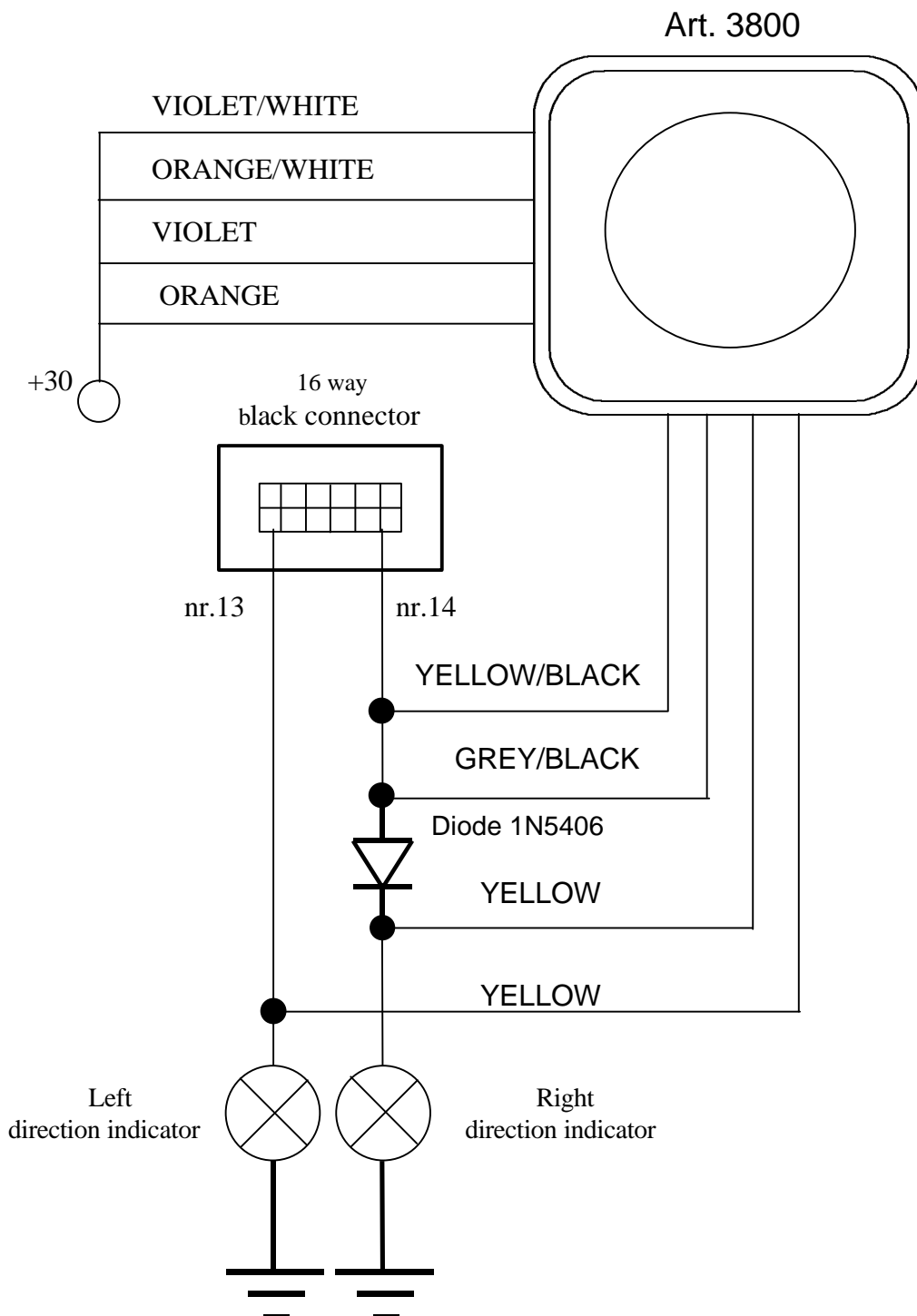
SPECIFIC VEHICLE ALARM FITTING INSTRUCTIONS

REV. 01

www.cobra.it

FITTING DIAGRAM N° 79

Diagram for the interfacing of art. 3800 on
PEUGEOT 206 year 2002



Note: This information is not binding, therefore it must be considered only an example for installation purposes that must be executed as per the instructions given on the product installation manual.

pe20602gbtr1.doc



CAR SECURITY

SPECIFIC VEHICLE ALARM FITTING INSTRUCTIONS

REV. 01

www.cobra.it

FITTING DIAGRAM N° 96

Diagram for windows connection on
PEUGEOT 206 year 2002

Diagram for windows locking using the BROWN/WHITE wire of the autodriver Bridge serie antithefts.

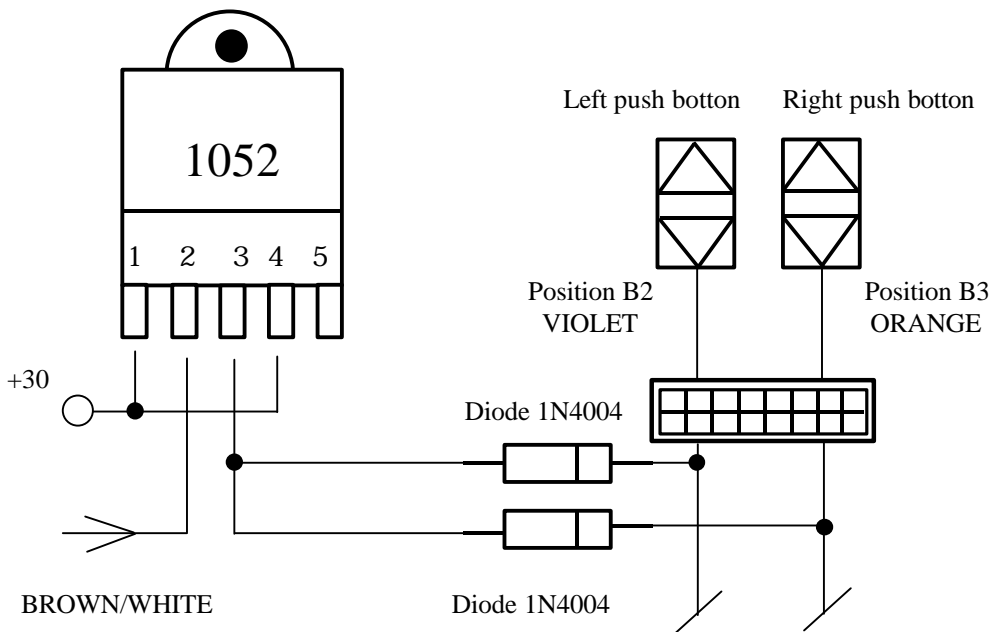


Diagram for windows locking using the BROWN wire of the no autodriver Bridge serie, 3100 and 3800 antithefts.

