



SPECIFIC VEHICLE ALARM FITTING INSTRUCTIONS

REV. 00

www.cobra.it

MAKE **FIAT** MOD. **GRANDE PUNTO** YEAR. **05**

GENERAL CONNECTIONS FOR INSTALLATION

ALARM/SIREN POSITION	Position the compact alarms and the sirens on the support of the driver's side shock absorber in the engine compartment. Position the modular systems and the modules under the dashboard driver's side. Pass the cables using the original fairlead near the brake pedal.
POWER SUPPLY	+30: connect to the WHITE/RED wire with more section located in the 1 way black connector in the fuse box, placed in the lower part on the left, under the driver's side dashboard. -31: connect to one of the ground terminals located under the driver's side sill cover.
IGNITION WIRE	+15/54: connect to the 1 mm ² BLUE/RED wire, at the position nr. 6, of the 32 way black connector located in the central part of the fuse box, placed in the lower part on the left, under the driver's side dashboard.
DIRECTION INDICATORS	Right direction indicators line connection Connect to the 1 mm ² PINK/BLACK wire in the 20 way black connector located in the fuse box, placed in the lower part on the left, under the driver's side dashboard. Left direction indicators line connection Connect to the 1 mm ² PINK/WHITE wire in the 20 way black connector located in the fuse box, placed in the lower part on the left, under the driver's side dashboard.
ELECTRIC WINDOWS	Positive control signal Front window, driver's side cut the VIOLET/YELLOW in the wiring harness coming out of the relevant push-button control. Front window, passenger's side: cut the YELLOW/RED wire in the wiring harness coming out of the driver's side door.
IMMOBILISATION POINT	Gasoil pump Cut the 2,5 mm ² VIOLET/YELLOW wire located in the wiring harness, the bigger in the lower part on the left of the driver's side sill cover. Fuel pump Cut the 2,5 mm ² VIOLET/YELLOW wire located in the wiring harness, the bigger in the lower part on the left of the driver's side sill cover.
STARTER	+50: Cut the 1 mm ² BROWN/WHITE wire located in the wiring harness coming out of the 3 way black connector directly coming out of the ignition key.
BONNET SWITCH	Install an additional switch on the headlamp support plate, driver's side.
DOORS SWITCH	Timed lamp control Connect to the 1mm ² YELLOW wire, in the wiring harness coming out of the 20 way black onnector in the lower part on the right, in the fuse box, located in the lower part on the left, under the driver's side dashboard. Direct control driver's side door Connect to the 1mm ² BLUE/VIOLET wire located in the wiring harness coming out of the connector of the driver's side door.
BOOT SWITCH	Connect to the YELLOW/BLACK wire in the wiring harness coming out of the boot lamp.

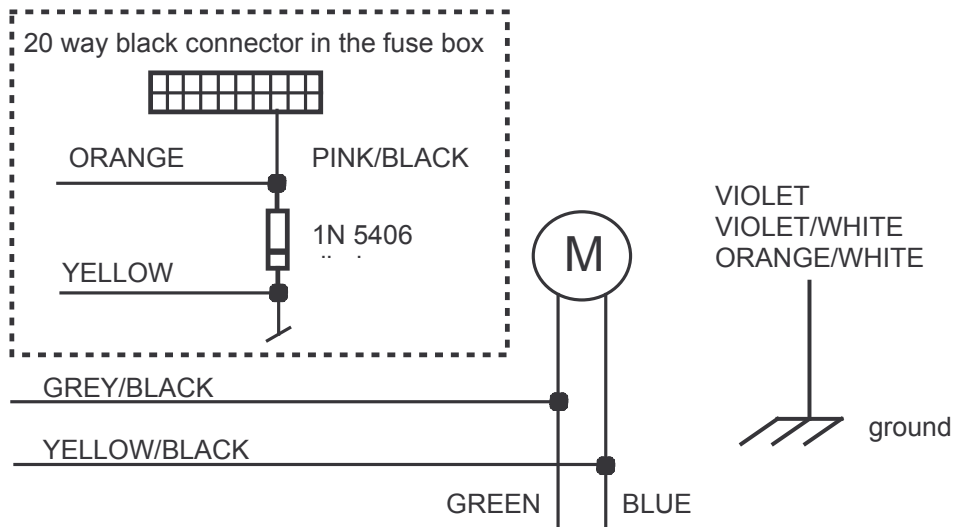
CONNECTIONS FOR ANTITHEFT SYSTEM WITH ORIGINAL EQUIPMENT KEYLESS ENTRY SYSTEM

ACTIVAT./DEACTIVATION CONTROLS	Connections antitheft/vehicle	Vehicle	Position
	3868 serie		
	YELLOW/BLACK	BLUE	Wiring harness coming out of the driver's side door
	GREY/BLACK	GREEN	Wiring harness coming out of the driver's side door
	ORANGE	PINK/BLACK	20 way black connector in the fuse box
	VIOLET	ground	Negative pole directly in the battery
	VIOLET/WHITE	ground	Negative pole directly in the battery
	ORANGE/WHITE	ground	Negative pole directly in the battery

For the **3868 serie** antitheft refer to the following fitting diagram.

For the connection of the **3818 serie** antitheft, refer to the indications of the sectioned part ONLY.

3818 serie	Vehicle	Position
ORANGE	PINK/BLACK	20 way black connector in the fuse box



CONNECTION FOR COBRA CONNEX SATELLITE ANTITHEFT SYSTEM

GSM ANTENNA POSITION Position the GSM antenna under the dashboard, driver's side.

GPS ANTENNA POSITION Position the GPS antenna under the dashboard, driver's side.

HORN CONTROL
Negative control
 Connect to the 1 mm² GREY/RED wire in the wiring harness coming out of the 12 way black connector located in the central part behind the covering of the lights switch.

www.cobra.it

CONNECTION FOR ANTITHEFT SYSTEM CONTROLLED BY RADIO

**CENTRAL DOORS
LOCKING**

Negative control

Connect with both OPEN and CLOSE wires of the antitheft to the 1 mm² VIOLET/WHITE wire in the wiring harness coming out of the connector of the driver's side door.

Note: insert a 470 Ohm resistance in serie to the ORANGE wire of the antitheft.

VIOLET/WHITE
ORANGE/WHITE
(VIOLET/ORANGE for Bridge serie only)

