



SPECIFIC VEHICLE ALARM FITTING INSTRUCTIONS

REV. 00

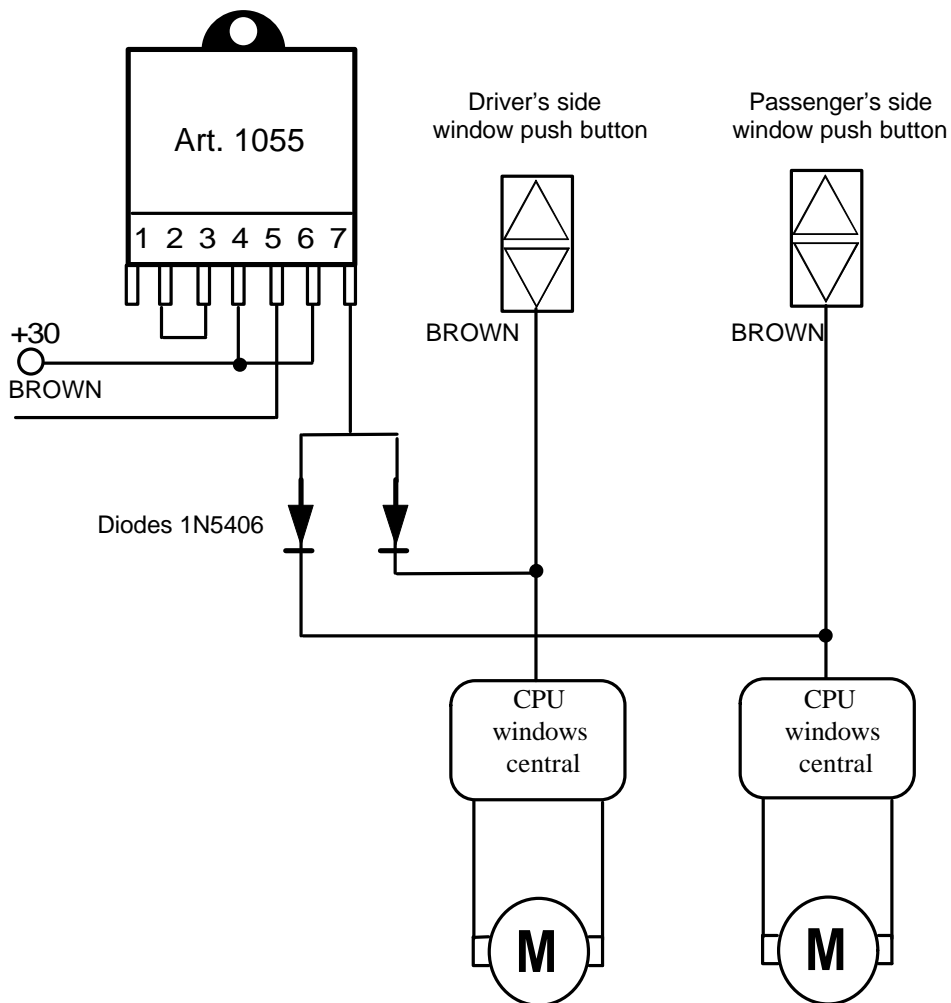
www.cobra.it

| | | | | | | |
|------|----------------|------|------------|------|-------------|---|
| MAKE | CITROEN | MOD. | C 3 | YEAR | 03 → | PETROL <input type="checkbox"/> DIESEL <input checked="" type="checkbox"/> |
|------|----------------|------|------------|------|-------------|---|

| | |
|------------------------------|--|
| ALARM/SIREN POSITION | Position the compact alarms and the sirens on the wheel house, passenger's side. |
| CENTRAL UNIT POSITION | Position the modular systems and the modules under the dashboard, driver's side. |
| POWER SUPPLY | <p>+30: connect to the 3 mm² YELLOW wire located at the position nr.2, of the 2 way grey/yellow connector, coming out of the front part of the BSI operating central.</p> <p>- 31: connect to the wire coming out of the ground terminal located behind the left lateral bulkhead, driver's side.</p> |
| IGNITION WIRE | +15/54: connect to the 2,5 mm ² LIGHT BLUE wire located in the connector coming out of the ignition key. |
| DIRECTION INDICATORS | Connect to the GREEN wire at the positions nr.13 and to the WHITE wire at the position nr.14, of the 16 way black connector. |
| ELECTRIC WINDOWS | <p>Positive control signal</p> <p>Temporized signal</p> <p>Refer to the fitting diagram nr.194</p> |
| CENTRAL DOORS LOCKING | <p>Original door motor control signal</p> <p>Cut the wires: WHITE, at the position nr. 13 (lock) and BROWN, at the position nr. 15 (unlock) located in the wiring harness coming out of the 16 way grey connector. Refer to the section "A" of the diagram nr. 197 for Bridge serie antithefts and to the section "B" of the fitting diagram nr. 197 for 3100, 3900 and Cobra Connex series antithefts.</p> |
| IMMOBILISATION POINT | <p>Gasoil pump</p> <p>Cut the YELLOW wire, at the position nr.13, in the wiring harness coming out of the 16 way black connector, marked "PM1", located in the box behind the battery.</p> |
| STARTER | +50: Cut the BLUE wire located in the wiring harness coming out of the connector of the ignition key. |
| BONNET SWITCH | Install an additional switch on the front headlamp support plate, driver's side. |
| DOORS SWITCH | <p>Connect to the LIGHT BLUE wire, at the position nr. 32, of the green connector, inside the connection with white covering, in the fuse box.</p> <p>Note: the polarity of the lamp is positive. Invert the signal with a micro-relay.</p> |
| BOOT SWITCH | Connect to the BLACK wire, at the position nr.16, in the grey connection of the 40 way connector, in the fuse box. |

FITTING DIAGRAM NR. 194

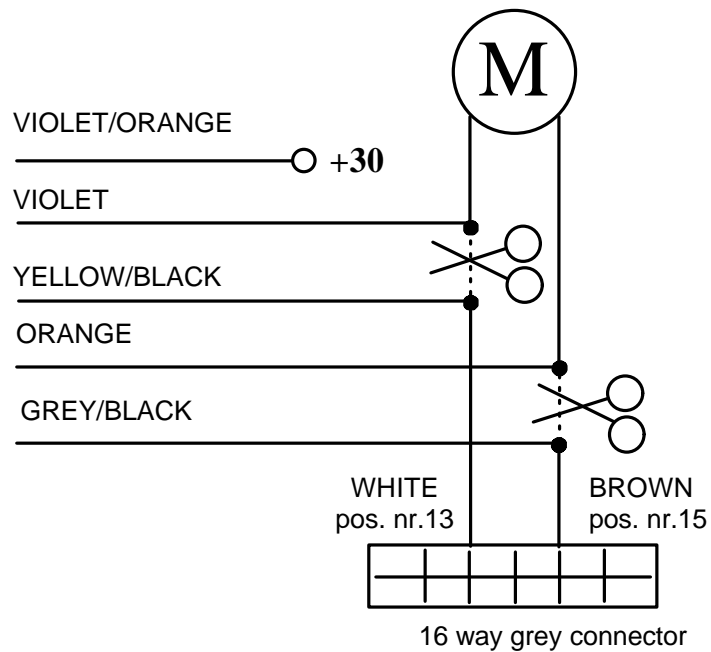
Diagram to make the windows locking with automatism on
CITROEN C3 year 2003



FITTING DIAGRAM NR. 197

Diagram to make lock/unlock of the doors
on **CITROEN C3** year 2003

A section



B section

